

# MOEN®

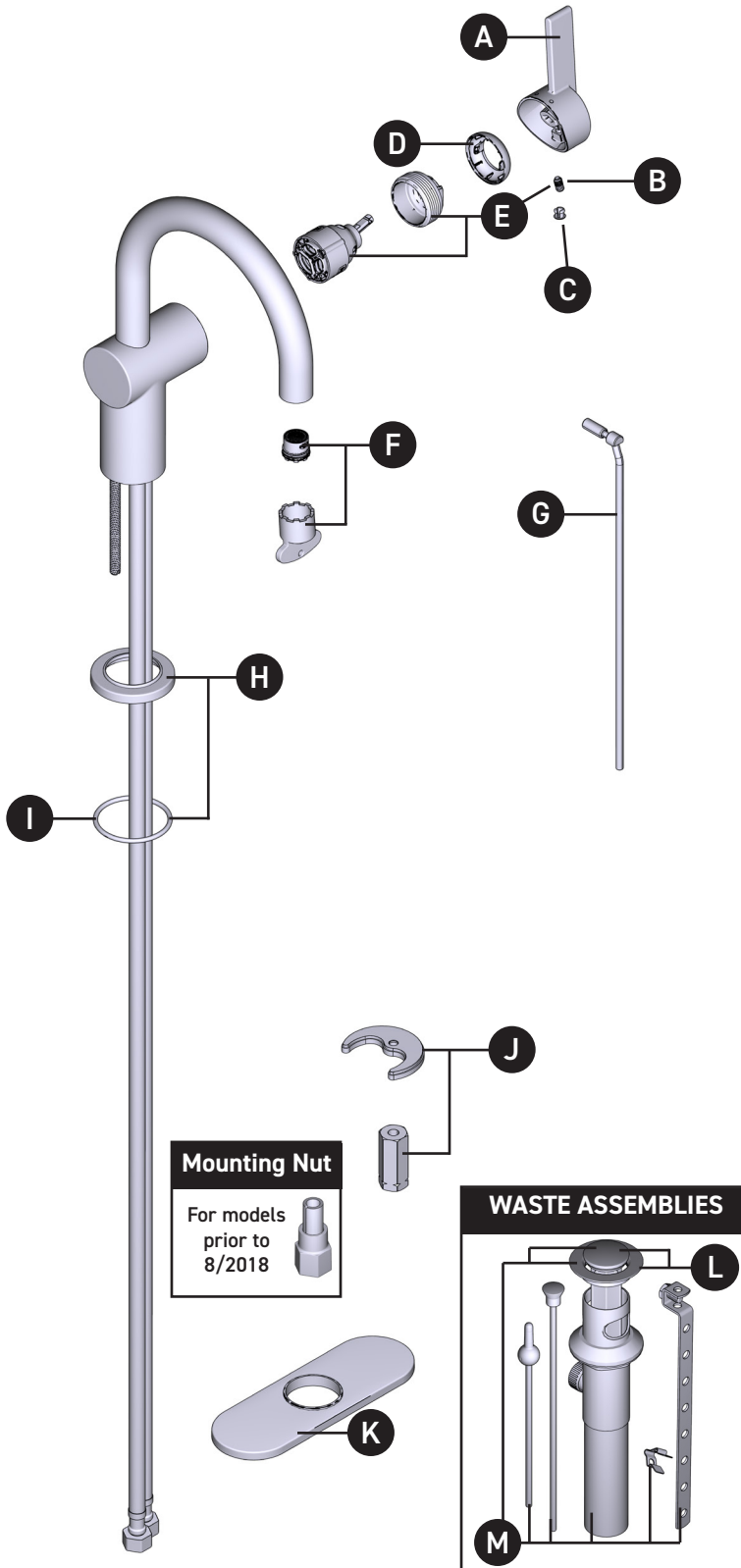
ORDER BY PART NUMBER

## Illustrated Parts

CIA™

Single-Handle Lavatory Faucet

MODEL	FINISH
6221	Chrome
6221BN	Brushed Nickel
6221BG	Brushed Gold
6221BL	Matte Black



ID	Kit Description	Kit Number	Finish
A	Handle Kit with Red & Blue Indicators	201900	Chrome
		201900BN	Brushed Nickel
		201900BG	Brushed Gold
		201900BL	Matte Black
B	Set Screw (Requires 3/32" hex key)	155023	N/A
C	Plug Button	152859	Chrome
		152859BN	Brushed Nickel
		152859BG	Brushed Gold
		152859BL	Matte Black
D	Dome Kit	160660	Chrome
		160660BN	Brushed Nickel
		160660BG	Brushed Gold
		160660BL	Matte Black
E	Cartridge, Cartridge Nut and Set Screw	160657	N/A
F	Aerator Kit (Includes Tool)	316711 1.5 gpm	N/A
		181085 1.2 gpm	N/A
		184082 1.0 gpm	N/A
G	Lift Rod	165003	Chrome
		165003BN	Brushed Nickel
		165003BG	Brushed Gold
		165003BL	Matte Black
H	Escutcheon Kit	172668	Chrome
		172668BN	Brushed Nickel
		172668BG	Brushed Gold
		172668BL	Matte Black
I	O-Ring	137515	N/A
J	Hardware Kit	146190	N/A
K	Escutcheon Kit	172666	Chrome
		172666BN	Brushed Nickel
		172666BG	Brushed Gold
		172666BL	Matte Black
L	Metallic Waste-Pop-up Plug & Seat	10709	Chrome
		10709BN	Brushed Nickel
		10709BG	Brushed Gold
		10709WR (used for Matte Black)	Wrought Iron
M	Metallic Waste	10790	Chrome